

SMarT CELLino Radiation Shield

Available area for sensor's installation

Ø35

125

40 Acceptable

60 Good

80 Optimal positioning

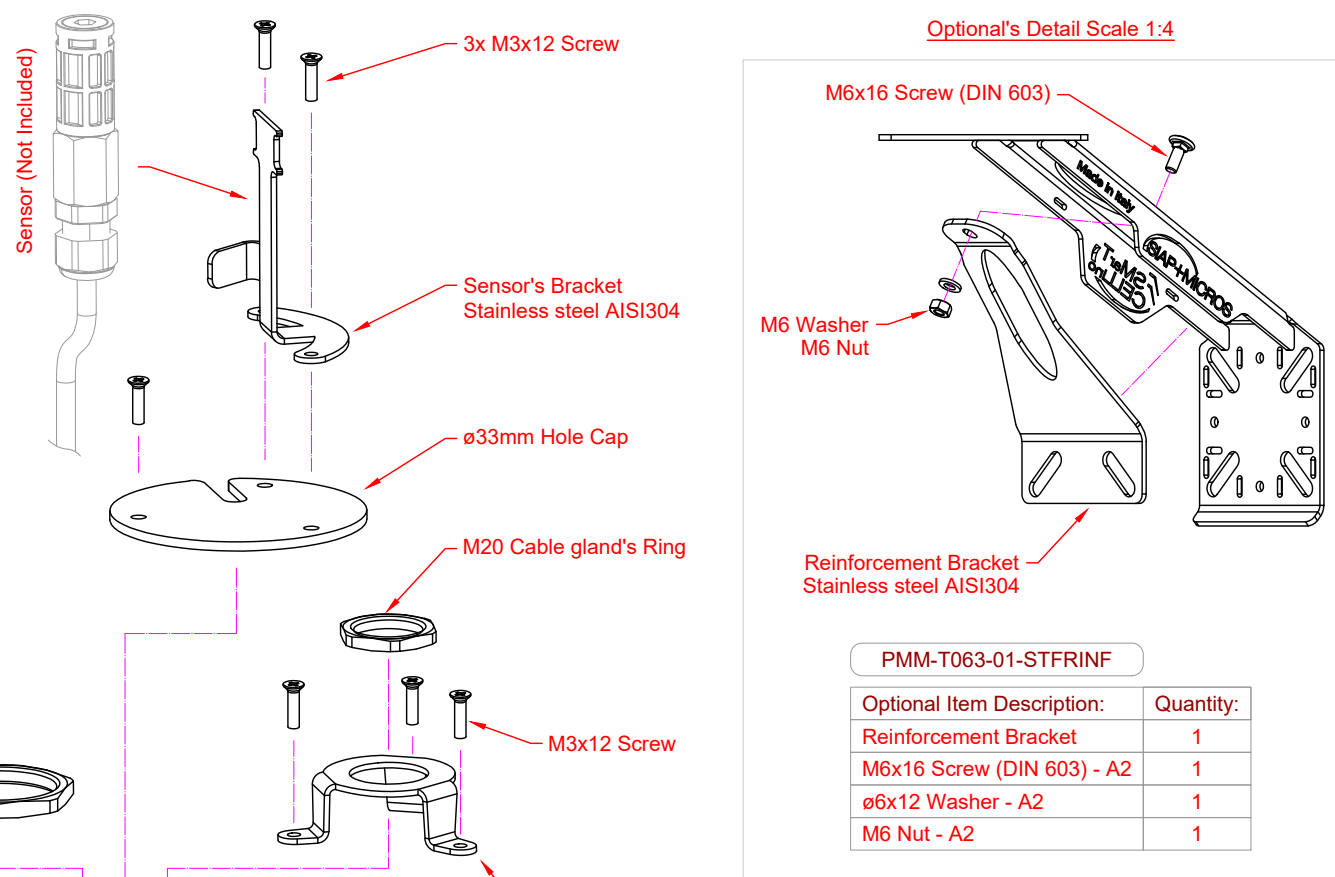
100 Optimal positioning

120 Good

To have a sensor's optimal positioning quote, start with leveling ring in contact with the upper M3 Nut

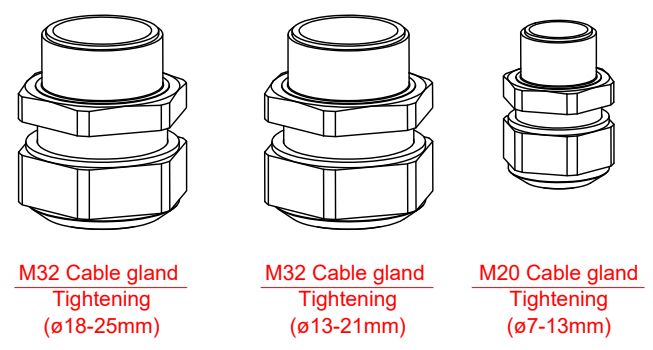
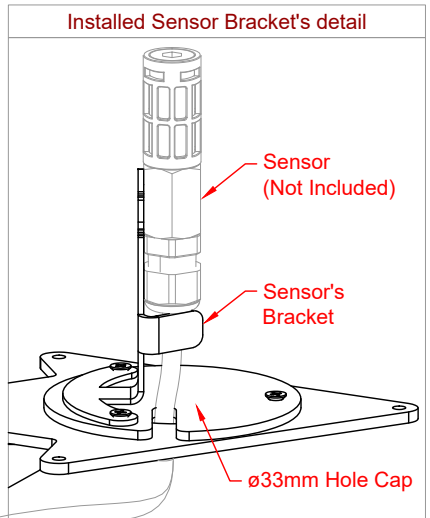
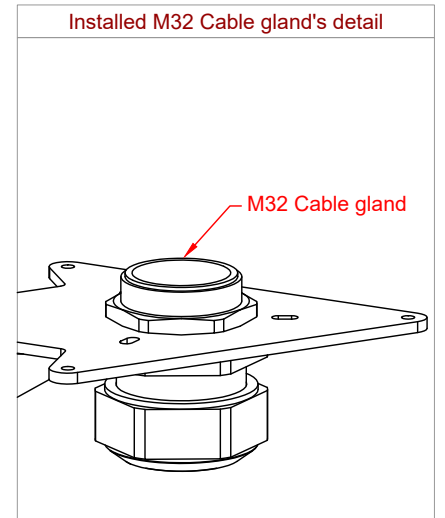
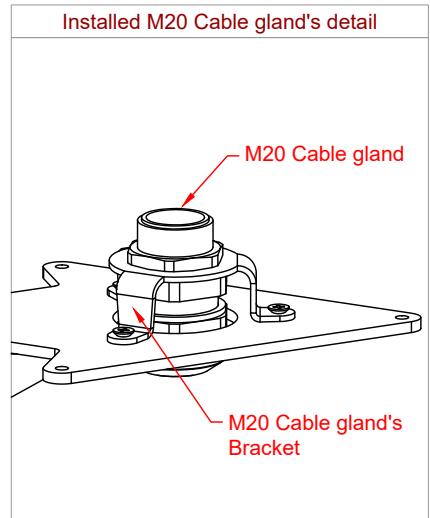
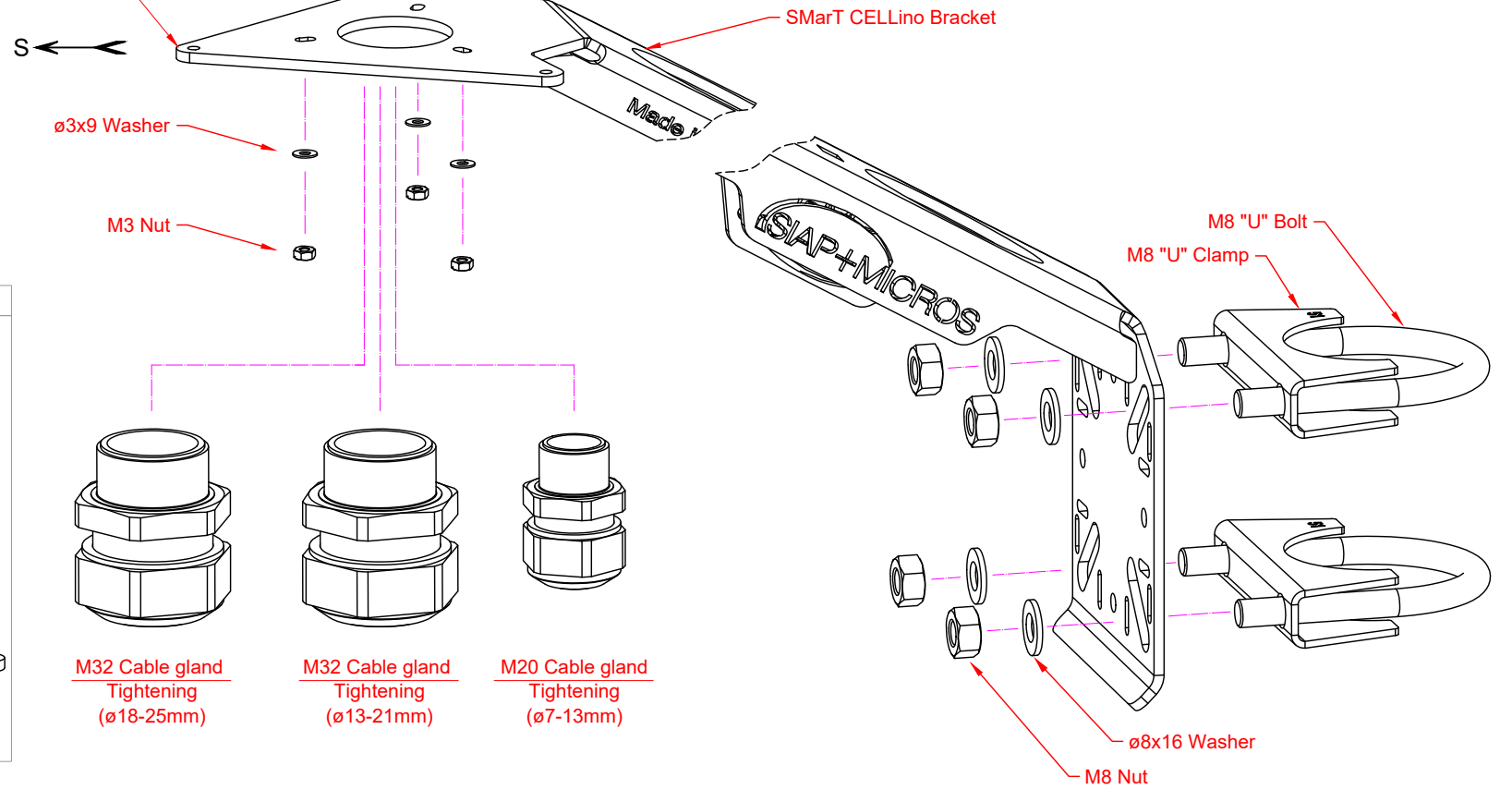
Vertical positioning quote from the SMarT CELLino Bracket's upper plane

PMM-T063-SMARTCELLINO	
Item Description:	Quantity:
SMarT CELLino Rad. Shield	1
SMarT CELLino Bracket	1
M20 Cable gland's Bracket	1
Sensor's Bracket	1
ø33mm Hole Cap	1
M3x12 Screw - A2	6
ø3x9 Washer - A2	9
M3 Nut - A2	9
M20 Cable gland (ø7-13mm)	1
M32 Cable gland (ø13-21)	1
M32 Cable gland (ø18-25)	1
M20 Cable gland's Ring	1
M32 Cable gland's Ring	1
M8 "U" Bolt	2
M8 "U" Clamp	2
ø8x16 Washer - A2	4
M8 Nut - A2	4



PMM-T063-01-STFRINF	
Optional Item Description:	Quantity:
Reinforcement Bracket	1
M6x16 Screw (DIN 603) - A2	1
ø6x12 Washer - A2	1
M6 Nut - A2	1

The recommended installation is to orient towards the SOUTH



	Cliente / Client	Siap + Micros S.p.A.		Commissa / Project			Nota / Note			Foglio / Sheet	A3	Progettista / Technical designer	Damiano Dalla Longa	Data progetto / Project data	15/02/2024			
	Descrizione / Description	SMarT CELLino Radiation Shield Assembly with Stainless steel support and accessories		Codice / Code	PMM-t063-SMarTCELLino		Revisione / Revision	Rev.01 on 11/12/2024		Oggetto / Subject	Added orientation for Bracket installation		Disegnatore / Designer	Damiano Dalla Longa	Data progetto / Project data	07/07/2025		
	Materiale / Material	Plastic: ASA; Fastners: A2		Stato superficiali / State of surfaces	IT 11		Revisione / Revision	Rev.02 on 07/07/2025		Oggetto / Subject	Added Optional Reinforcement Bracket		U.M.	mm	Approvazione / Approval	Stefano Perin	Data approvaz. / Approval data	07/07/2025
	Trattamento / Treatment			Peso / Weight	1540 gr		Codice disegno / Draw code	t063-di [ENG]		Sheet n°	of n°			1	1			